

M 776534-1K



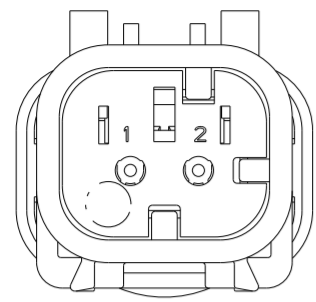
MINIKIT

Proseguire nella pagina successiva per visualizzare la scheda tecnica dei componenti

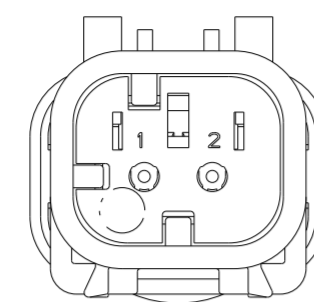
Revisione	Prodotto
REV.00 14/04/2026	OEM

THIS DRAWING IS UNPUBLISHED. RELEASED FOR PUBLICATION
 © COPYRIGHT 20 BY - ALL RIGHTS RESERVED.

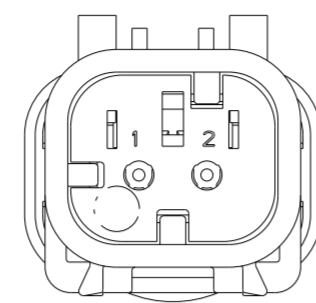
REVISIONS				
P	LTR	DESCRIPTION	DATE	APVD
D		REVISED PER ECO-13-019067	05DEC2013	DR RB
D1		REVISED PER PCN-23-190965	31OCT2023	AP CB
D2		REVISED PER PCN-23-190965	07NOV2023	AP CB



776534-2
SCALE 2:1
KEY B



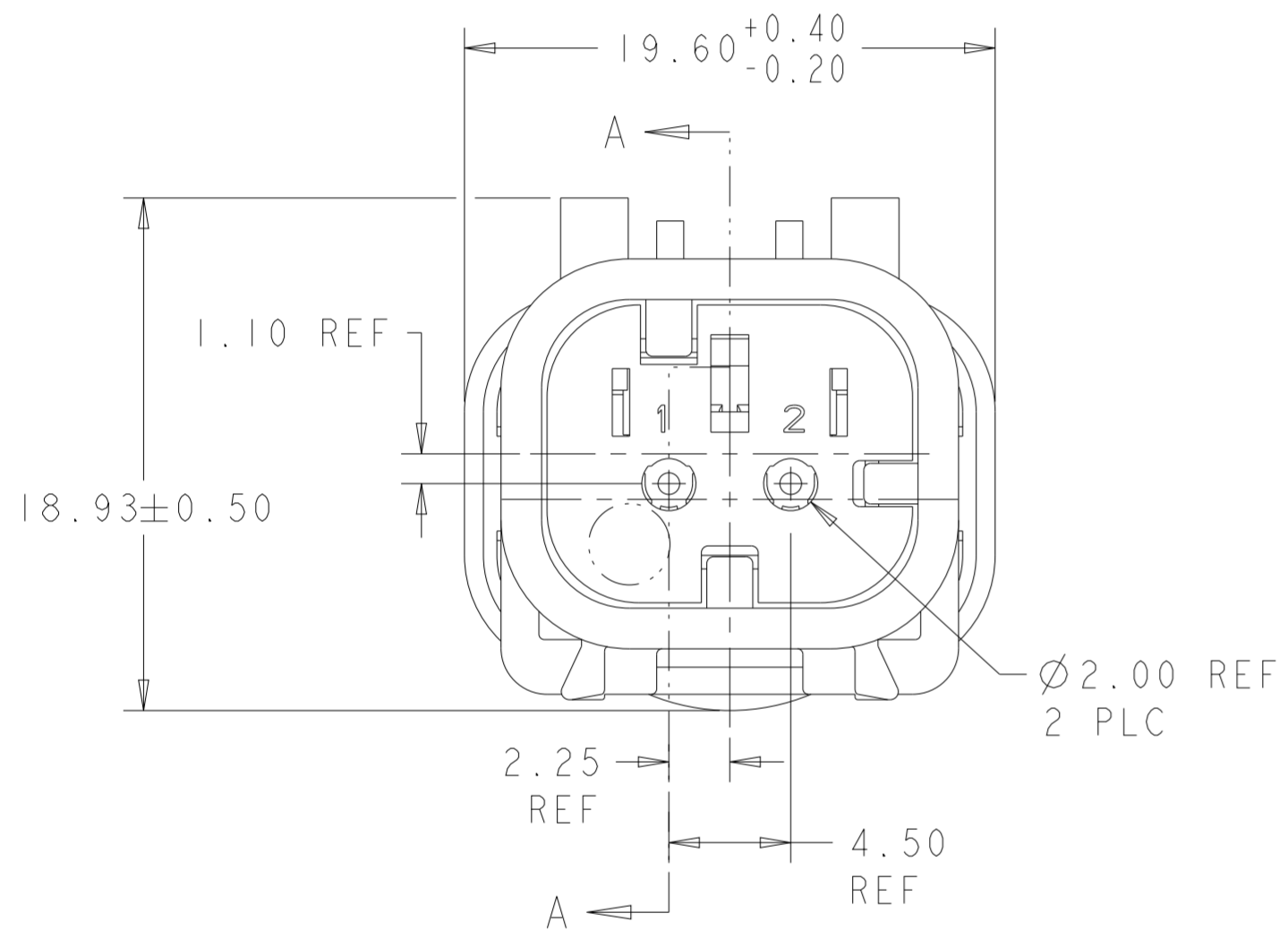
776534-3
SCALE 2:1
KEY C



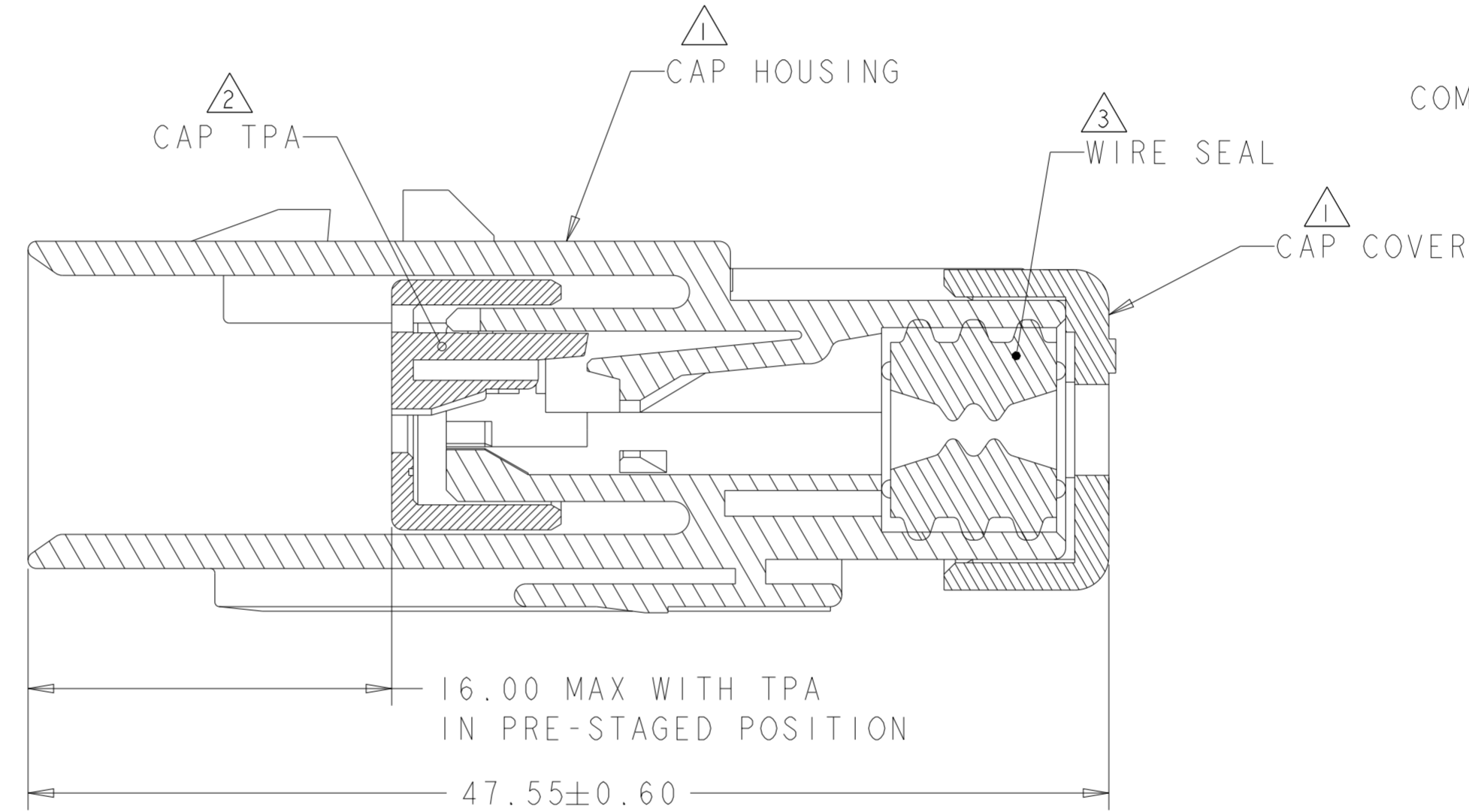
776534-4
SCALE 2:1
KEY D

- 1 MATERIAL: 15% GLASS FILLED THERMOPLASTIC
COLOR: BLACK
- 2 MATERIAL: 15% GLASS FILLED THERMOPLASTIC
COLOR: (SEE TABLE)
- 3 MATERIAL: SILICONE
COLOR: LIGHT GRAY

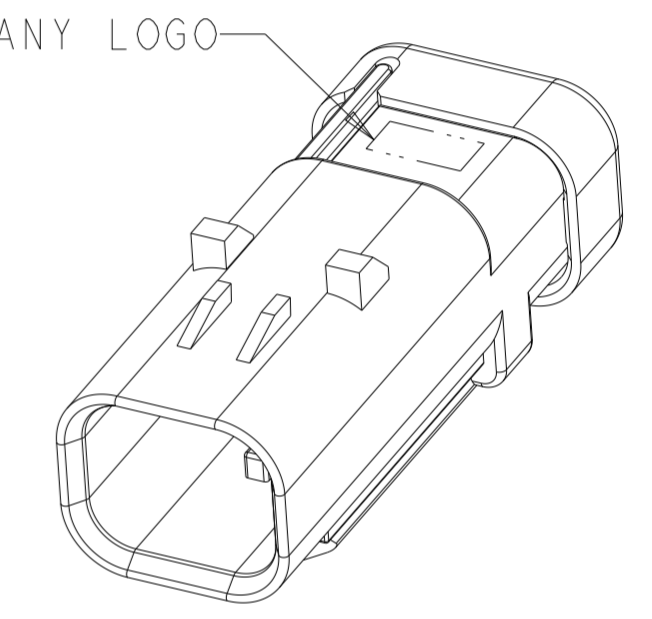
4. RECOMMENDED WIRE DIAMETER RANGE IS 1.30 TO 2.54mm



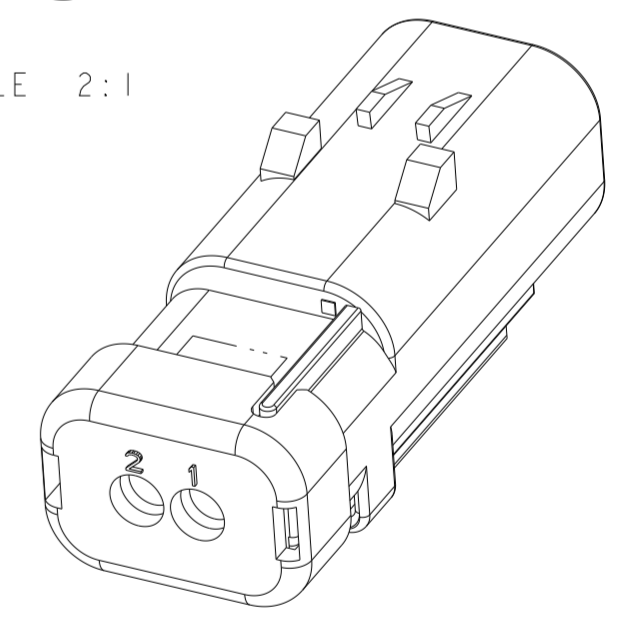
776534-1 SHOWN
KEY A



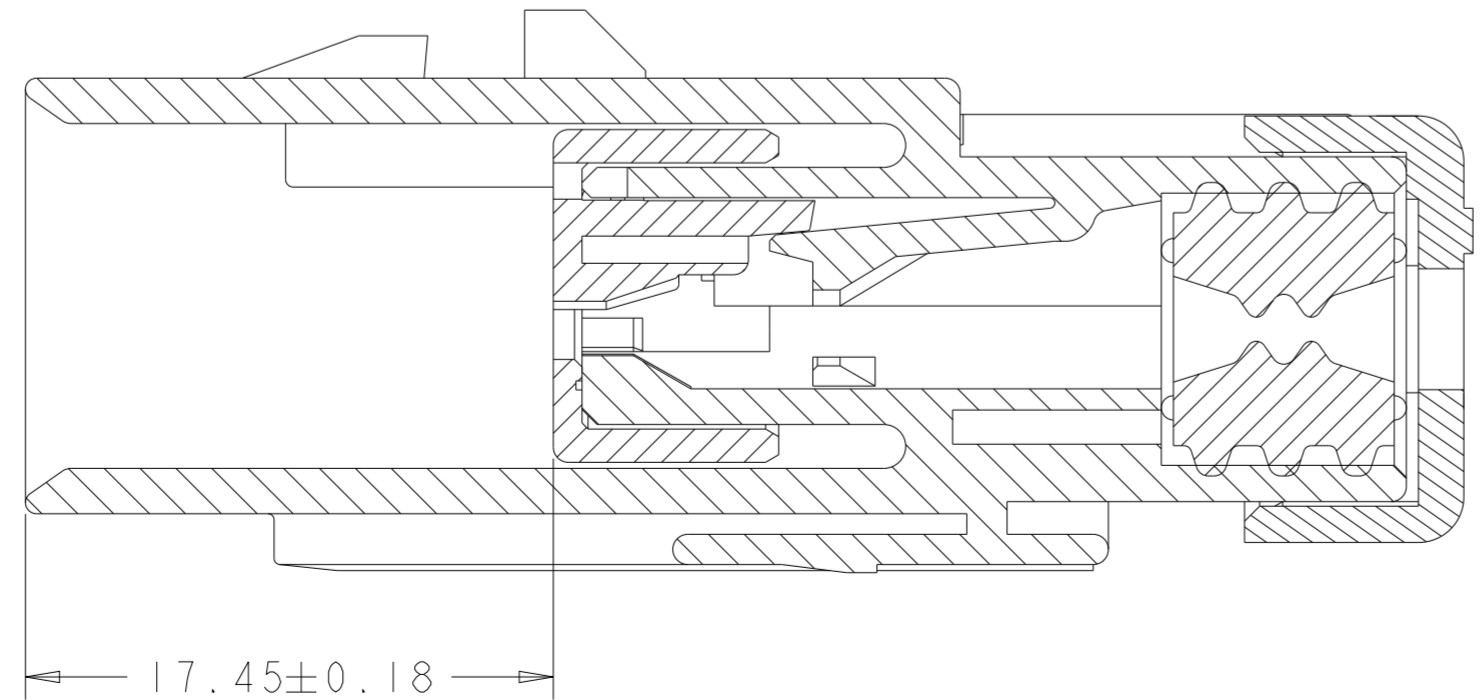
SECTION A-A



SCALE 2:1



SCALE 2:1



SECTION A-A
WITH TPA IN CLOSED POSITION

D	GREEN	776534-4
C	YELLOW	776534-3
B	GRAY	776534-2
A	RED	776534-1
KEY	TPA COLOR	PART NUMBER

THIS DRAWING IS A CONTROLLED DOCUMENT.

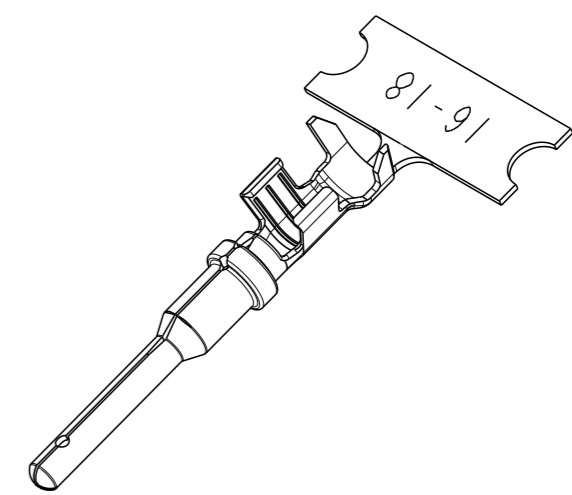
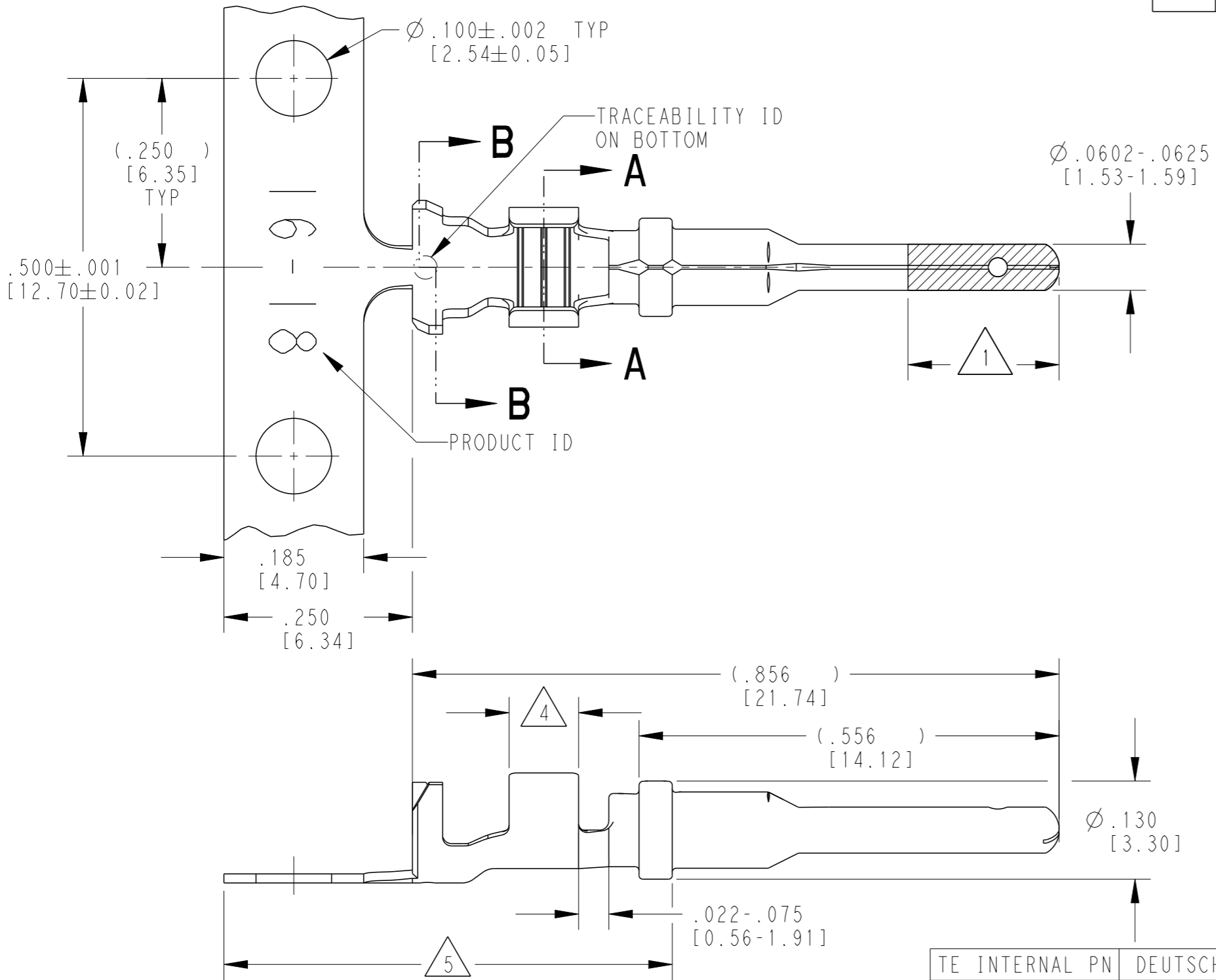
DWNS	Y. PETERSON	22FEB00
CHK	R. GREINER	11DEC01
APVD	M. TRULL	11DEC01
PRODUCT SPEC	108-2184	
APPLICATION SPEC	114-13065	
WEIGHT	9	
Customer Drawing		

STE TE Connectivity

CAP ASSEMBLY,
2 POSITION, SINGLE ROW,
REDUCED DIA WIRE SEAL, AMPSEAL 16

SIZE	A2	CAGE CODE	00779	DRAWING NO	C-776534	RESTRICTED TO	-
SCALE	4:1	SHEET	1	OF	1	REV	D2

LOC	DIST	REVISIONS			
P	LTR	DESCRIPTION	DATE	DWN	APVD
	K	REVISED PER PCN E-20-008101	12JUN2020	DM	DM
	L	REVISED PER PCN-21-121539	08DEC2021	MK	DM
	L1	REVISED PER PCN-21-121539	04FEB2022	MK	DM
	L2	REVISED PER PCN-25-234384	30JAN2025	RK	CB



SECTION A-A
WIRE BARREL

SECTION B-B
INSULATION BARREL

- 5 TIN PLATING MAY BE IN THIS REGION.
 - 4 TIN PLATED REGION.
 - 3 MATERIAL: .012 [0.30] THICK COPPER ALLOY
 - 2. WIRE RANGE: 18 AWG TO 14 AWG [0.75-2.0 mm²]
INSULATION RANGE: $\varnothing .075 - .140$ [$\varnothing 1.91 - 3.56$]
 - 1 GOLD PLATED REGION.
- NOTES: UNLESS OTHERWISE SPECIFIED

TE INTERNAL PN	DEUTSCH PN	REV	PLATING
1060-16-0122	1060-16-0122	S	Ni/Cu overall, Sn/Ni/Cu Wire Barrel
1060-16-0144	1060-16-0144	S	Selective Au, Ni/Cu overall, Sn/Ni/Cu Wire Barrel
1060-16-0177	1060-16-0177	S	Sn/Ni/Cu overall

THIS DRAWING IS A CONTROLLED DOCUMENT.

DWN M. BLUM	04NOV1999	STE TE Connectivity
CHK A. ROLINSKI	08DEC2000	
APVD R. REED	08DEC2000	
PRODUCT SPEC	108-151000	
APPLICATION SPEC	114-151000	NAME PIN, STAMPED CONTACT SIZE 16 14-18 AWG, .075-.140 INS
MATERIAL	FINISH SEE TABLE	SIZE A3
		CAGE CODE 4AFU8
		DRAWING NO C=1060-16-01XX
		RESTRICTED TO -
		WEIGHT 0.33 g
		SCALE 6:1
		SHEET 1 OF 1
		REV L2

Customer Drawing