

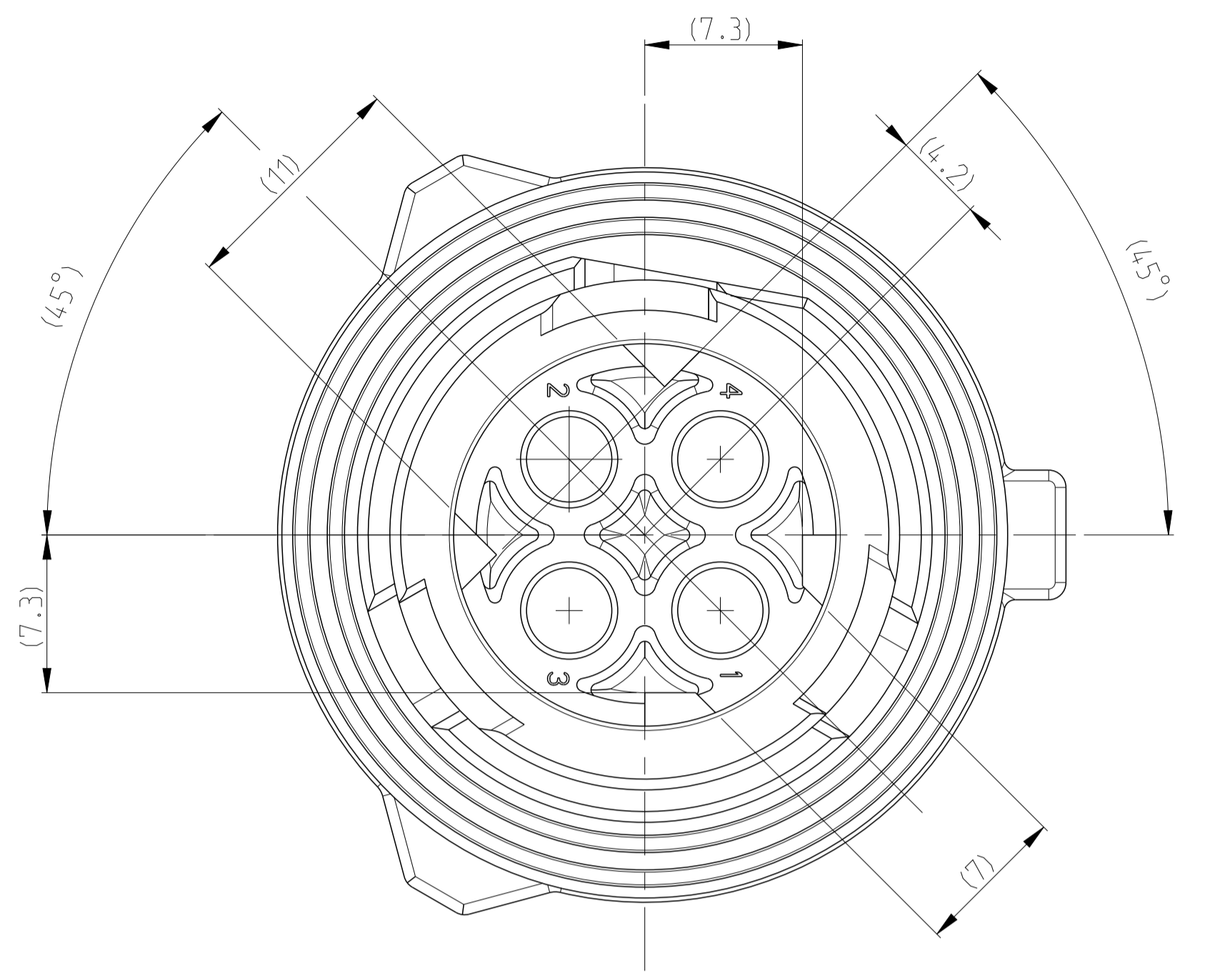
M 967402-1



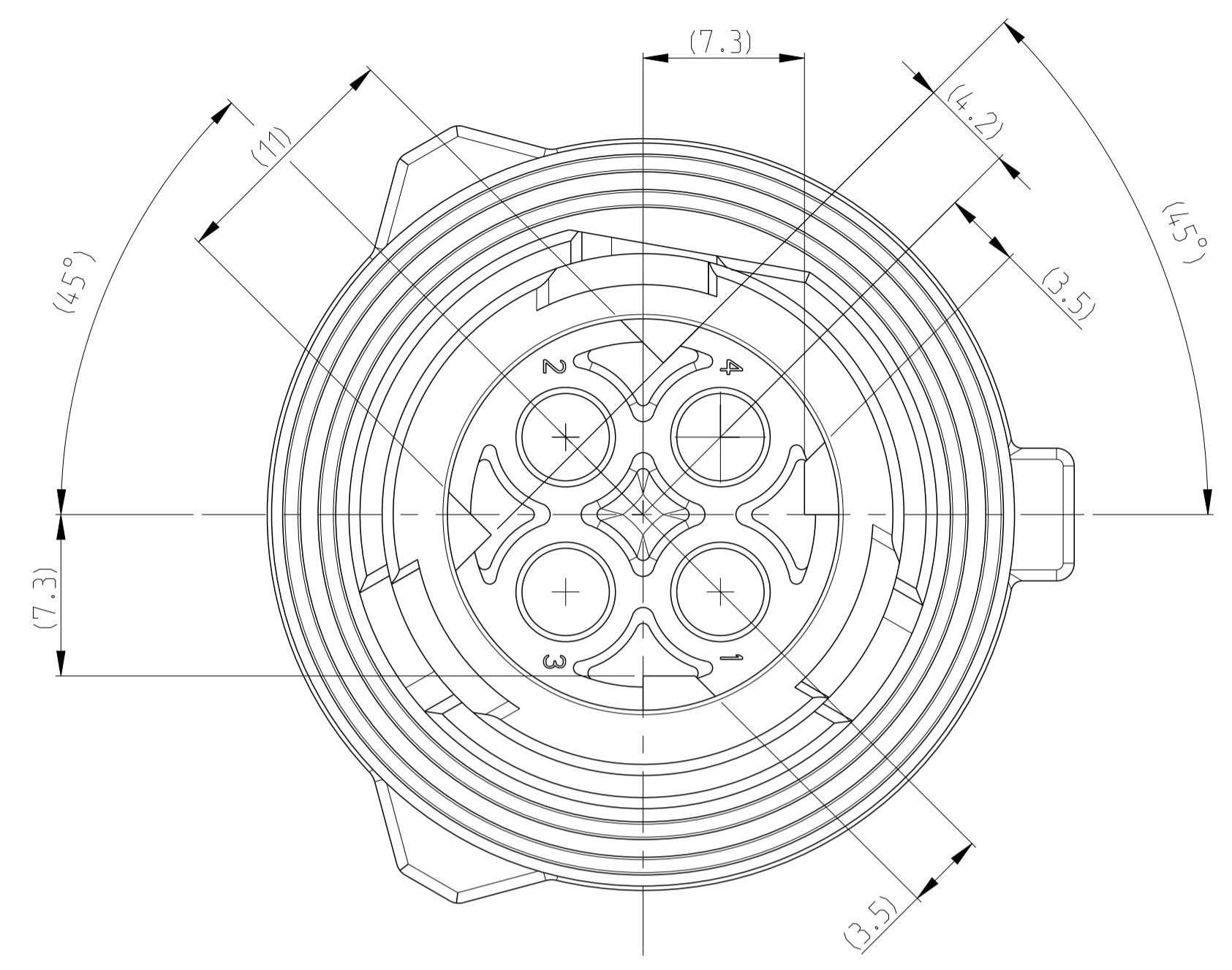
Proseguire nella pagina successiva per visualizzare la scheda tecnica dei componenti

| Revisione | Prodotto |
|----------------------|----------|
| REV.01 16/04/2026 | OEM |

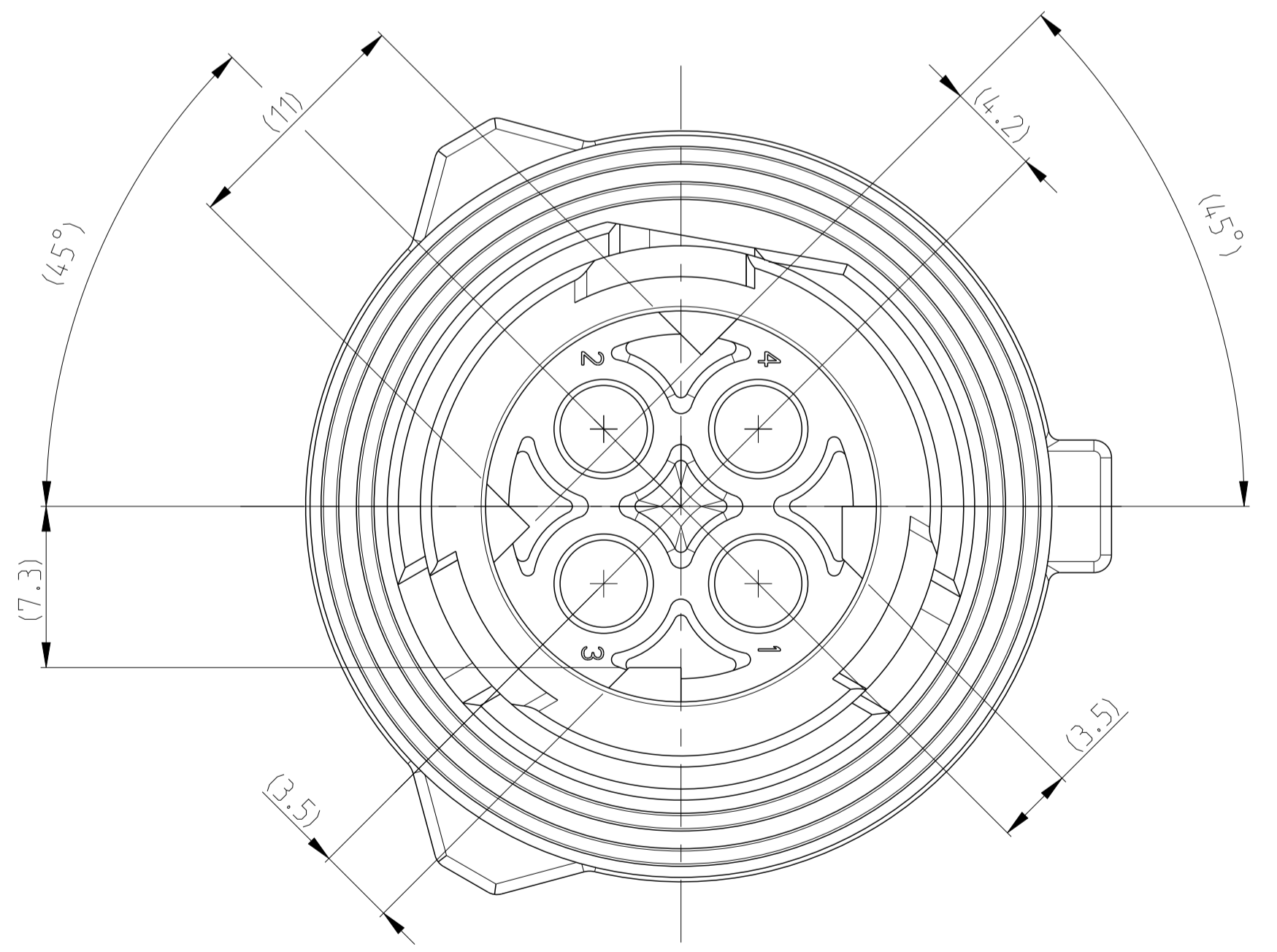
DB CODING 1
Kodierung 1



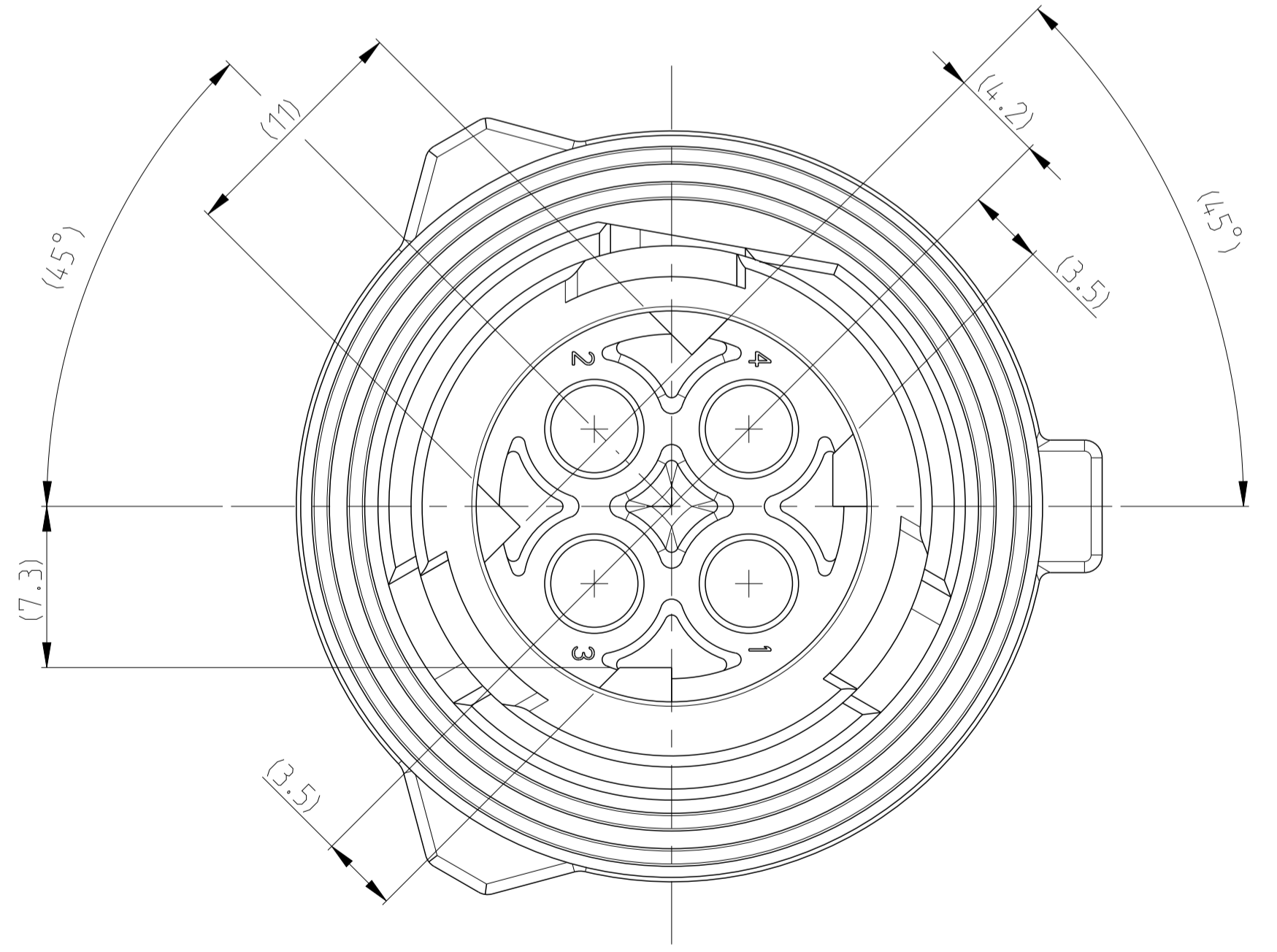
DB CODING 2
Kodierung 2



DB CODING 3
Kodierung 3



DB CODING 4
Kodierung 4



| REVISIONS | | | | |
|-----------|-----|-------------|------|------|
| P. | LTN | DESCRIPTION | DATE | APVD |
| - | - | SEE SHEET 1 | - | - |
| | | | | |
| | | | | |

THIS DRAWING IS A CONTROLLED DOCUMENT.

| | | | | | | |
|-------------|--|------------------|--------------|-----------|---------------|-----------------------------------|
| DIMENSIONS: | TOLERANCES UNLESS OTHERWISE SPECIFIED: | DWN | J. Gratzl | 06MAR1995 | | |
| mm | 0 PLC ±0.2mm | CHK | J. Hass | 06MAR1995 | | |
| | 1 PLC ± | APVD | Ch. Eberwein | 10MAY2010 | | |
| | 2 PLC ± | PRODUCT SPEC | | | | |
| MATERIAL: | SEE TABLE | APPLICATION SPEC | | | NAME | 2.5MM PIN HOUSING, 2-4POS., ASSY |
| SEE TABLE | SEE TABLE | ANGLES | | | PRODUCT SPEC | 2.5mm Stiftstecker, 2-4pol., Assy |
| FINISH | SEE TABLE | 114-18255-0 | | | SIZE | |
| SEE TABLE | SEE TABLE | 114-18255-0 | | | CAGE CODE | 00779 |
| | | WEIGHT | 15g | | DRAWING NO | 967402 |
| | | CUSTOMER DRAWING | | | RESTRICTED TO | - |
| | | SCALE | 5:1 | | SHEET | 2 OF 2 |
| | | REV | 08 | | | |