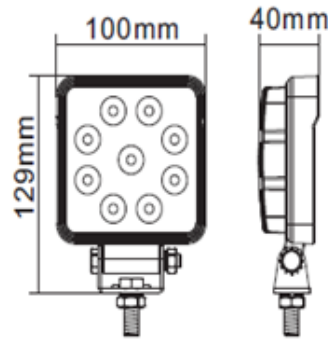


M FQ927

SCHEMA TECNICA



LED Chip: OSRAM

Actual Power : 15W

Certificate:CE, RoHS, IP67, IP69K, Emark Operating Voltage: 10-30V DC

Raw Lumen:2430 lm

Effective Lumen:1650 lm

Current Draw: 1.25A@12V, 0.625A@24V

Color Temperature:6000K

Optional Beam: Flood 60°

