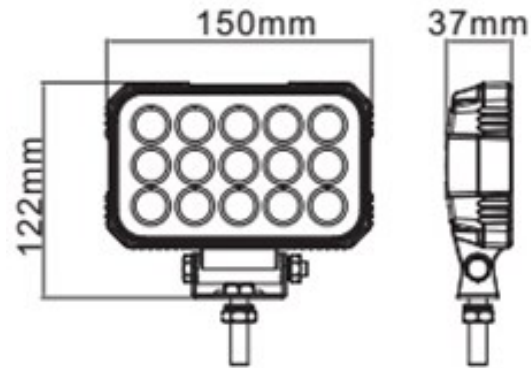


M FR1545

SCHEDA TECNICA



LED Chip: OSRAM

Actual Power : 22.5W

Certificate: CE, RoHS, IP67, IP69K, Emark Operating
Voltage: 10-30V DC

Raw Lumen: 2925lm

Effective Lumen: 1978lm

Current Draw: 1.96A@12V, 0.98A@24V

Color Temperature: 6000K

Optional Beam: Flood 60°

