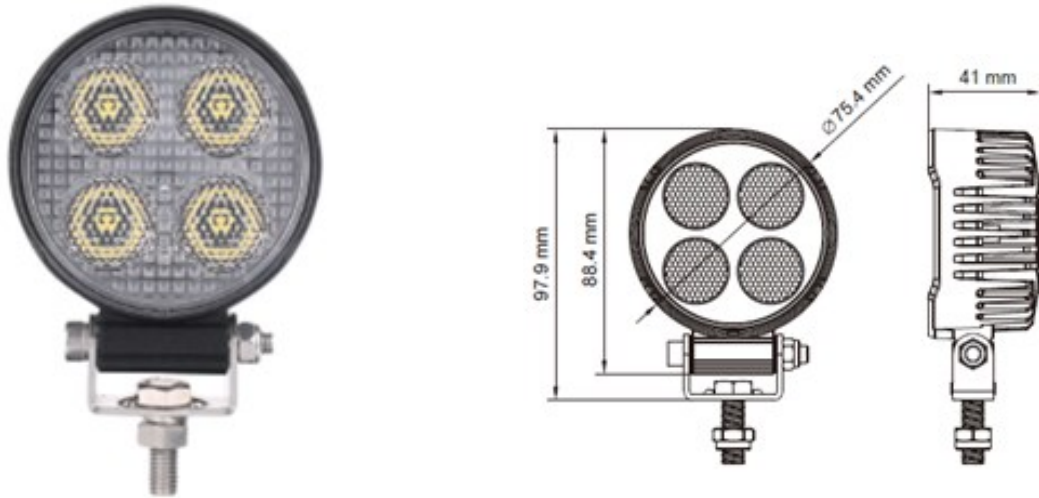


M FT424

SCHEDA TECNICA



LED Chip: 4PCS*OSRAM 6W (S8)

Actual Power : 29-32W

Certificate:CE, RoHS, IP67,EMC

Operating Voltage: 10-30V DC

Raw Lumen: 3600lm

Effective Lumen:1400-2200 lm

Current Draw: 2A@12V,1A@24V

Color Temperature:5700K

Optional Beam: Flood 120°

Size: 3"

