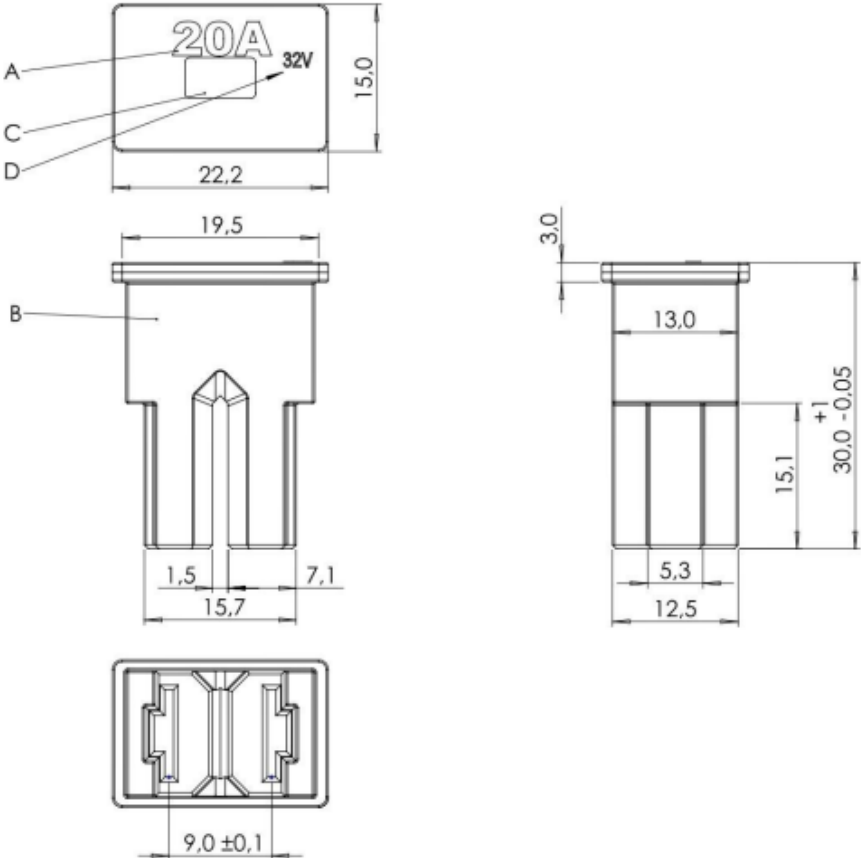


FUSIBILI JAPAN SERIE AS

CODICE ARTICOLO	COLORE	RATING (A)
M FU-AS20	Blue	20
M FU-AS30	Pink	30
M FU-AS40	Green	40
M FU-AS50	Red	50
M FU-AS60	Yellow	60
M FU-AS80	-	80
M FU-AS100	-	100



- A Nominal current
- B Housing see chart for color
- C Transparent viewing window
- D Nominal voltage inmoulded



- Meets international specs, complies to JASO D614 and other standards
- Element visibility from top through transparent cover
- Robust/sturdy body construction
- Safe and highly reliable operation through ceramic heat sink construction
- Self extinguishing, color coded body materials
- High temperature resistive plastics used for fuse body materials
- Secure and controlled time-delayed functioning with purpose designed elements
- Integrated, durable, Cu-alloy receptacles
- Used in Japanese, European, American and Korean designed vehicles



Time-Current Characteristics

% of Rating	Opening Time Min / Max (s)
110	14,400 s
200	5 s / 100 s
350	0.2s / 7 s
600	0.040 s / 1 s

Specifications

Voltage Rating: 32 VDC
 Current Cycling: 24°C
 The fuses satisfy the performance requirements after 50% of the rated current is applied for 10,000 cycles. Each cycle consists of an interrupted current with the pattern of 5 minutes ON and 10 minutes OFF.
 Operating Temperature Range: -40°C to +125°C

