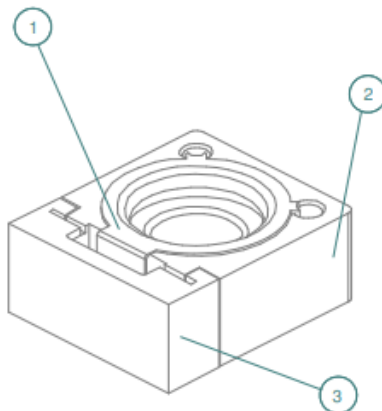
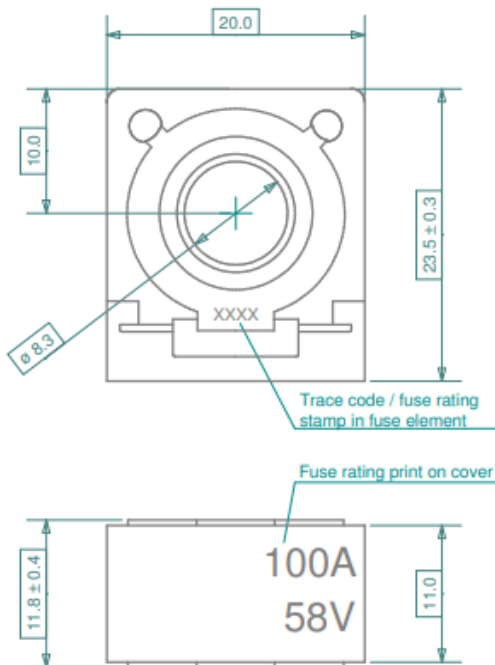


# FUSIBILE OTO-CUB 58V

# SCHEDA TECNICA



Number	Description
1	Fuse element
2	Ceramic body
3	Transparent cover

Fusing time ISO 8820-6 [s]		
Load [%]	Minimum [s]	Maximum [s]
100 %	360,000	-
135 %	5	1,800
150 %	1	600
200 %	0.2	60
350 %	0.03	1
600 %	0.01	0.2

Rating	Volt
[ A ]	[ V ]
30	58
50	58
75	58
100	58
125	58
150	58
175	58
200	58
250	58
300	58

Note: Amperage rating and production date (WWYY) stamped on metal part

