

FUSIBILI JAPAN SERIE JC



Specifications

Voltage Rating: 32 VDC
 Interrupting Rating: 1000A @ 32 VDC
 Operating Temperature Range: -40°C to + 125°C

Description

The JCASE® is a cartridge style fuse with female terminal design. JCASE® provides both increased time delay and low voltage drop to protect high current circuits. JCASE® has the ability to handle inrush currents.

Time-Current Characteristics

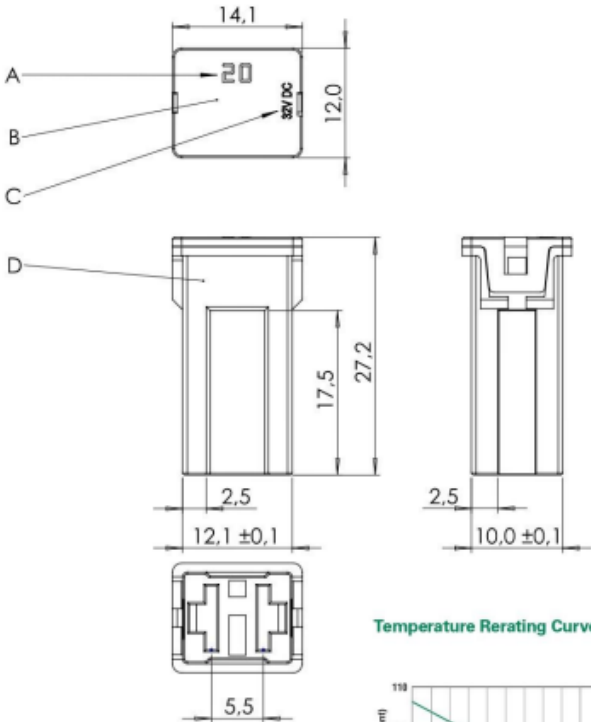
% of Rating	Opening Time Min / Max (s)
110	360,000 s / -
135	60 s / 1800 s
200	4 s / 60 s
350	0.200 s / 7 s
600	0.040 s / 1 s

Ratings

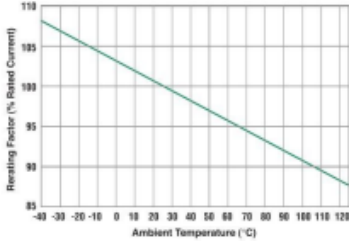
Part Number	Current Rating	Housing Material Color	Typ. Voltage Drop	Cold Resistance	Pt
M FU-JC20	20 A	Blue	106 mV	4.29 mΩ	1750 A²s
M FU-JC25	25 A	White	101 mV	3.28 mΩ	3220 A²s
M FU-JC30	30 A	Pink	91 mV	2.12 mΩ	1480 A²s
M FU-JC40	40 A	Green	87 mV	1.30 mΩ	3650 A²s
M FU-JC50	50 A	Red	88 mV	0.99 mΩ	8750 A²s
M FU-JC60	60 A	Yellow	87 mV	0.76 mΩ	19500 A²s
M FU-JC80					



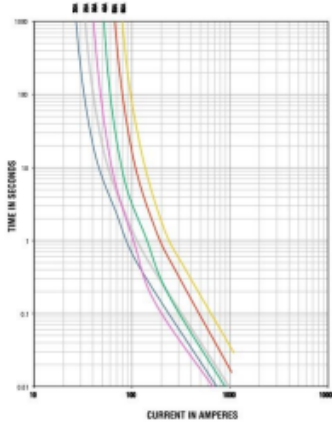
SCHEDA TECNICA



Temperature Derating Curve



Time-Current Characteristic Curves



Dimensions

Dimensions in mm

