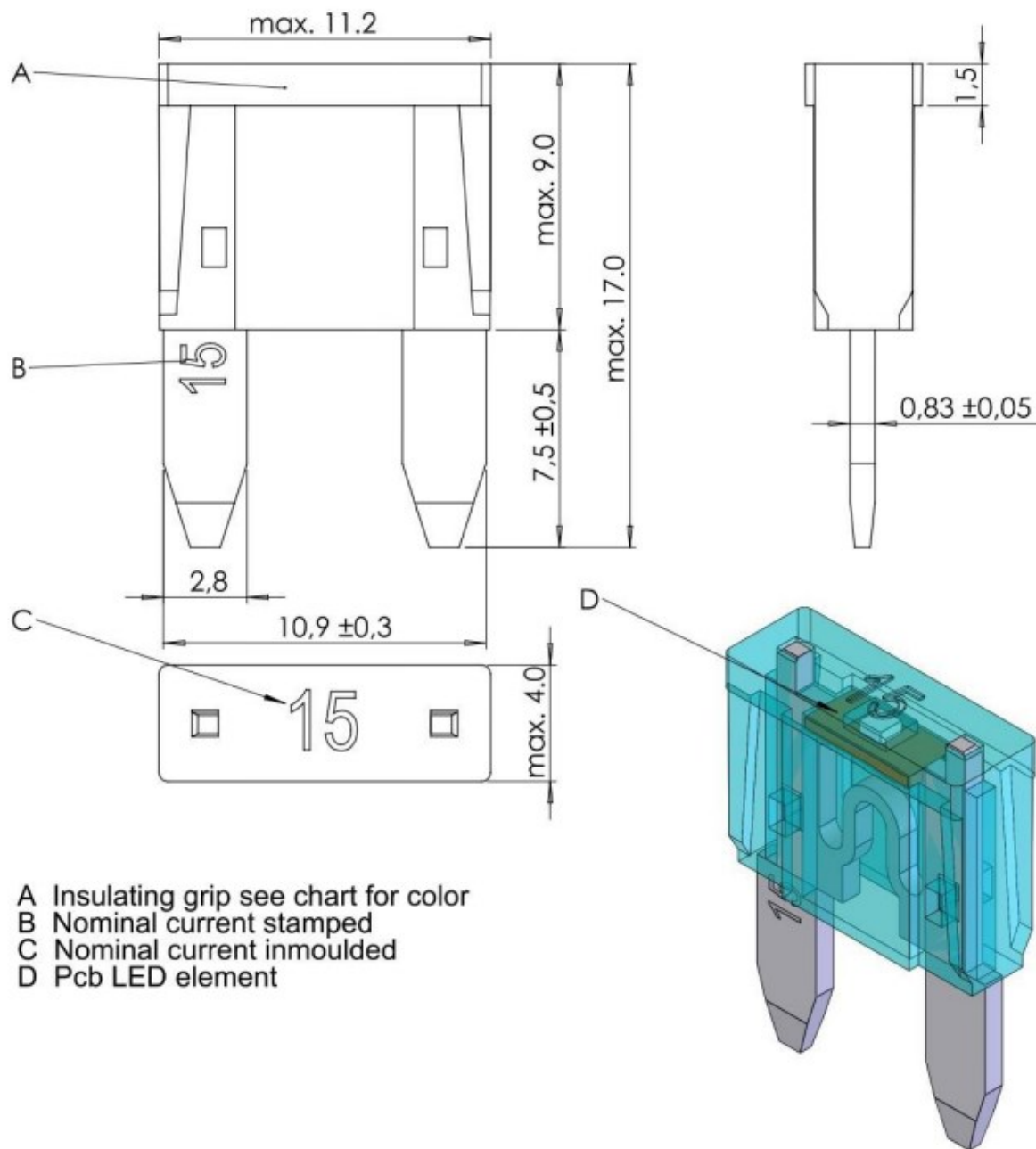
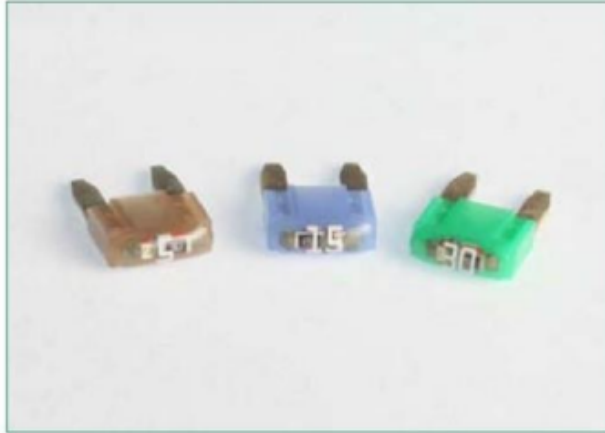


FUSIBILI MINI CON LED





Specifications

Interrupting Rating: 1000A @ 14 VDC
 Voltage Rating: 12 VDC
 Operating Temperature Range: -40°C to +125°C
 Terminals: Silver plated Zinc alloy

Time-Current Characteristics

% of Rating	Opening Time Min / Max (s)
110	360,000 s / -
135	0.75 s / 600 s
200	0.15 s / 5 s
350	0.08 s / 0.50 s
600	0.03 s / 0.10 s

CODICE ARTICOLO	RATING (A)	COLORE
M FU-MINI2L	2	-
M FU-MINI3L	3	viola
M FU-MINI4L	4	-
M FU-MINI5L	5	arancione
M FU-MINI7.5L	7.5	marrone
M FU-MINI10L	10	rosso
M FU-MINI15L	15	azzurro
M FU-MINI20L	20	giallo
M FU-MINI25L	25	bianco
M FU-MINI30L	30	verde

