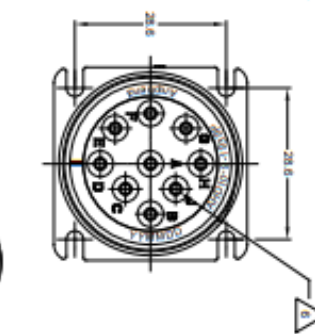
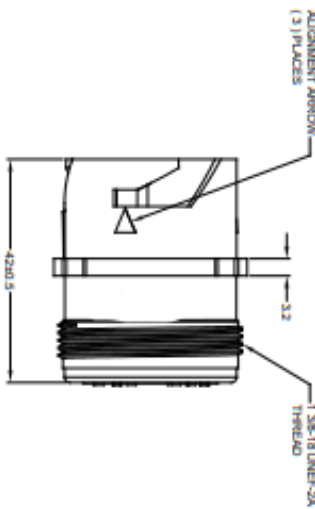
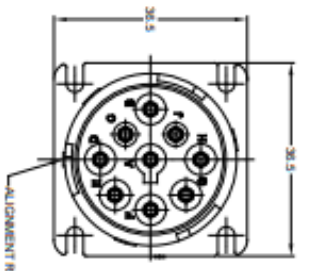


M HD10-9-1939P

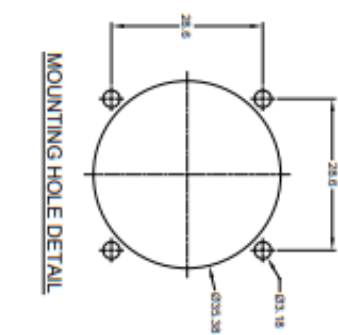
SCHEDA TECNICA



REVISIONI			
REV	ECO	DESCRIPTION	DATE
01		RELAZE NEW DATA COMPANY	03/07/11
02		UPGRADE DRAWINGS	02/04/12



- NOTES: UNLESS OTHERWISE SPECIFIED
1. MATERIAL:
HOUSING: THERMOPLASTIC, BKX
SEAL: SILICONE RUBBER
 2. MODIFICATIONS: J1939 TYPE 1 KEY ARRANGEMENT
 3. SPECIFICATIONS:
3.1 CONTACT RATING: 13 AMP/30
3.2 OPERATING TEMPERATURE: -50°C TO +125°C
3.3 DIELECTRIC WITHSTANDING VOLTAGE: LESS THAN 2 MILLIAMP/ CURRENT LEAKAGE @ 1500 VOLTS AC
3.4 INSULATION RESISTANCE: 1000 MEGOHM MIN @ 25°C
3.5 MOISTURE RESISTANCE: IP67 (MATED CONDITION)
3.6 MATING CYCLE DURABILITY: 100 CYCLES
3.7 RATCH COMPLIANT
 4. MATING PART: AHD16-S-1000/SE, AHD17-S-1030/SE
 5. ALL DIMENSIONS ARE IN MILLIMETERS UNLESS OTHERWISE SPECIFIED



QUANTITY		PART NUMBER		DESCRIPTION	
1		AHD16-S-1000			
MATERIALS LIST					
ITEM NO.	DESCRIPTION	QTY	UNIT	REMARKS	
1	AHD16-S-1000	1	EA		
2	SEAL	1	EA		
3	KEY	1	EA		
4	WIRE	1	EA		
5	WIRE	1	EA		
6	WIRE	1	EA		
7	WIRE	1	EA		
8	WIRE	1	EA		
9	WIRE	1	EA		
10	WIRE	1	EA		
11	WIRE	1	EA		
12	WIRE	1	EA		
13	WIRE	1	EA		
14	WIRE	1	EA		
15	WIRE	1	EA		
16	WIRE	1	EA		
17	WIRE	1	EA		
18	WIRE	1	EA		
19	WIRE	1	EA		
20	WIRE	1	EA		
21	WIRE	1	EA		
22	WIRE	1	EA		
23	WIRE	1	EA		
24	WIRE	1	EA		
25	WIRE	1	EA		
26	WIRE	1	EA		
27	WIRE	1	EA		
28	WIRE	1	EA		
29	WIRE	1	EA		
30	WIRE	1	EA		
31	WIRE	1	EA		
32	WIRE	1	EA		
33	WIRE	1	EA		
34	WIRE	1	EA		
35	WIRE	1	EA		
36	WIRE	1	EA		
37	WIRE	1	EA		
38	WIRE	1	EA		
39	WIRE	1	EA		
40	WIRE	1	EA		
41	WIRE	1	EA		
42	WIRE	1	EA		
43	WIRE	1	EA		
44	WIRE	1	EA		
45	WIRE	1	EA		
46	WIRE	1	EA		
47	WIRE	1	EA		
48	WIRE	1	EA		
49	WIRE	1	EA		
50	WIRE	1	EA		

CONTACT SIZE AND WIRE RANGE			
CONTACT SIZE	MIN. INSL. O.D.	MAX. INSL. O.D.	WIRE RANGE
16	2.54 mm (100 mil)	3.81 mm (150 mil)	14 - 20 AWG