
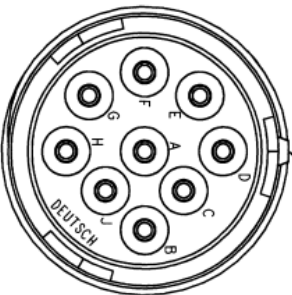
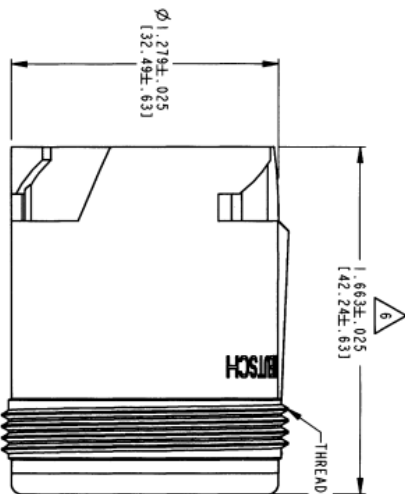
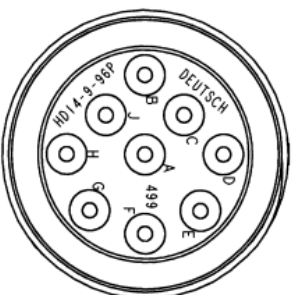


# M HD 14-9-96P

# SCHEDA TECNICA



REV	DESCRIPTIONS	DATE	APPROVED
F	HD14-9-96P		
SYM			
C	REVISED AND REDRAWN PER E.O. A13195	05/04/92	J.R.A.
D	REVISED PER E.O. P15729	08/21/96	R.D.R.
E	REVISED & REDRAWN PER E.O. P16261	09/17/99	R.D.R.
F	REVISED PER E.O. P17742	12-27-03	A.D.R.

7. MATERIAL: SHELL: PLASTIC; SEAL: RUBBER.  
 6. OVERALL DIMENSION DOES NOT INCLUDE RUBBER GROMMET.  
 5. THIS RECEPTACLE MATES WITH HD16-9-96S3-\*\*\*\*\* PLUG (\* = SEAL TYPE, \*\*\*\* = ALL MODIFICATIONS).

4. FOR \*PERFORMANCE AND APPLICATION CHARACTERISTICS OF SOLID/STAMPED AND FORMED CONTACTS AND WIRES,\* SEE ENVELOPE DRAWING 0425-015-0000. THIS RECEPTACLE USES PIN CONTACTS ONLY.

3. ALL DIMENSIONS ARE IN INCHES (MILLIMETERS).

2. THIS CONNECTOR SERIES WILL ACCOMMODATE THE FOLLOWING WIRE INSULATION DIAMETERS:

CONTACT SIZE	MINIMUM O.D.	MAXIMUM O.D.
16	[2.54]	[3.81]

1. CONSULT FACTORY FOR ELECTRICAL AND MATERIAL SPECIFICATIONS.

NOTES:

SIGNATURE & DATE

DR L.H.M.V.S. 08/31/99

CW *[Signature]*

RE *[Signature]*

APP *[Signature]*

SCALE NONE WT

RECEPTACLE CONNECTOR

IN LINE

HD 10 SERIES

ARR. 9-96

COLOR: GREY

ENVELOPE

CP

The Deutsch Company

DEUTSCH A.P.D.

3850 INDUSTRIAL AVE.

HENET, CALIF. 92545

MINI

B HD14-9-96P

CONTS

SHEET 1 OF 1