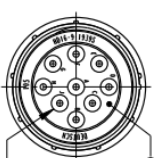
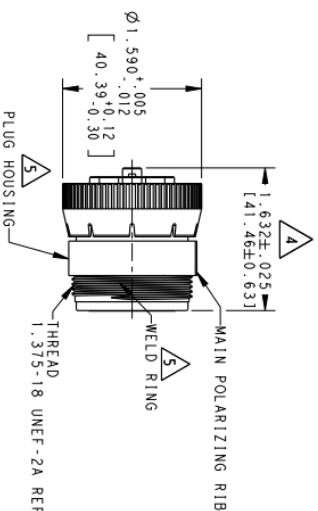
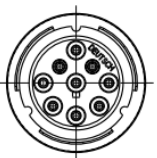
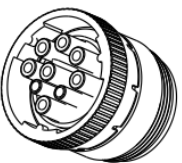




M HD16-9-1939S

THIS DRAWING IS CONTROLLED BY: **GRANITICH** RELEASED FOR PRODUCTION: **ALL RIGHTS RESERVED.** 2013

REV	DATE	DESCRIPTION	DATE	BY	APP
P	1/18				
B		REVISED PER E.O. P16261	1/25/1999	-	ROB
C		REVISED PER E.O. P17740	2/28/2002	-	ROB
D		REVISED PER E.O. P21133	2/28/2011	-	ROB
D1		REVISED PER ECO-14-002953	23/06/14	PV	DM



5 MATERIAL: PLUG HOUSING AND WELD RING: PA 153GF (BLACK) GROMMET: SILICONE (RED)

4 OVERALL DIMENSION DOES NOT INCLUDE RUBBER GROMMET.

3 THIS PLUG MATES WITH FOLLOWING RECEPTACLES (X = SEAL TYPE, XXXX = ALL MODIFICATIONS).
 HD10-9-1939PX-XXXX
 HD14-9-1939PX-XXXX

2 SEE DRAWING 0425-015-0000 FOR CONTACT AND WIRE PERFORMANCE AND APPLICATION CHARACTERISTICS.

1 SEE TABLE FOR USABLE INSULATION RANGE.

CONTACT SIZE	MINIMUM O.D.	MAXIMUM O.D.	WIRE RANGE [mm ²]
16	.100 [2.541]	.150 [3.811]	14-20 AWG [2.0-.50]

NOTES:

THIS DRAWING IS A CONTROLLED DOCUMENT.		REV 11/25/1998	
DIMENSIONS: INCHES (MM)		D. METER	
TOLERANCES UNLESS OTHERWISE SPECIFIED		FRACTIONAL DECIMAL	
0 PRC ± .005	1 PRC ± .005	DECIMAL ± .005	
2 PRC ± .005	3 PRC ± .005	ANGLES ± 30.0°	
4 PRC ± .005	5 PRC ± .005	Customer Drawing	
MATERIAL		SCALE: 1:1 SHEET 1 of 1 REV D1	
5		37.20 (g) A300779	
TE CONNECTIVITY		HD16-9-1939S	
GRANITICH		PLUG CONNECTOR	
95E/2013		HD10 SERIES ARR. 9-1939	
37.20 (g)		COLOR: BLACK	
A300779		RESTRICTED TO	
HD16-9-1939S		-	