

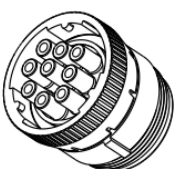
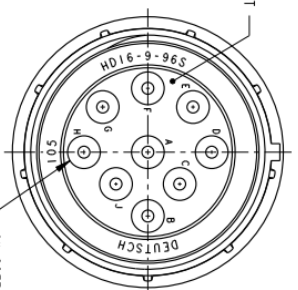
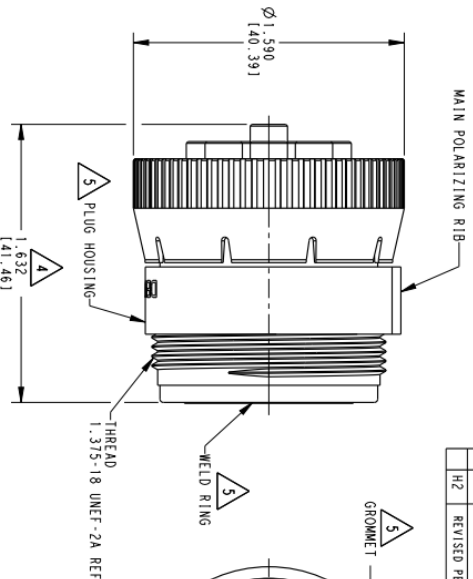
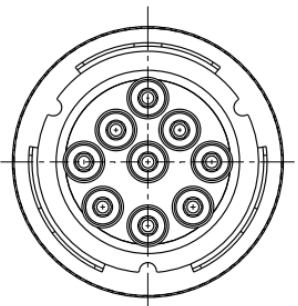


THIS DRAWING IS UNCLASSIFIED. RELEVANT FOR PATENTATION. ALL RIGHTS RESERVED. 2013

LOC DIST

REVISIONS

REV	DATE	DM	APP
G	28SEP2011		RDR
H	04MAY2012		RDR
H1	25JAN2014	PV	DM
H2	04FEB2015	JA	DM



3D VIEW

- 3. MATERIAL:
PLUG HOUSING AND WELD RING: PA 153GF (GREY)
GROMMET: SILICONE (RED)
- 4. OVERALL DIMENSION DOES NOT INCLUDE RUBBER GROMMET.
- 3. THIS PLUG MATES WITH FOLLOWING RECEPTACLE (X=SEAL TYPE, XXXX= ALL MODIFICATIONS).
HD10-9-96PX-XXXX
HD14-9-96PX-XXXX
- 2. SEE DRAWING 0425-015-0000 FOR CONTACT AND WIRE PERFORMANCE AND APPLICATION CHARACTERISTICS
- 1. SEE TABLE FOR USABLE WIRE RANGE AND INSULATION RANGE:

CONTACT SIZE	MINIMUM O.D.	MAXIMUM O.D.	WIRE RANGE (mm ²)
16	.100 [2.541]	.150 [3.811]	14-20 AWG [2.0-.501]

NOTES:

THIS DRAWING IS A CONTROLLED DOCUMENT. **STE** TE Connectivity

REV. 02/2013
 CDR: OCHLOA 14AUG1998
 DESIGNED BY: GRANTICARLO 13SEP2013
 DRAWN BY: METER 19SEP2013
 PRODUCT SPEC: 0425-015-0000
 PARTICULATION SPEC: 0425-015-0000
 MATERIAL: N/A
 FINISH: N/A
 WGT: 31.50g
 SIZE: 44F08
 CUSTOMER DRAWING: HD16-9-96S
 SCALE: 2:1
 SHEET 1 OF 1
 REV: H2