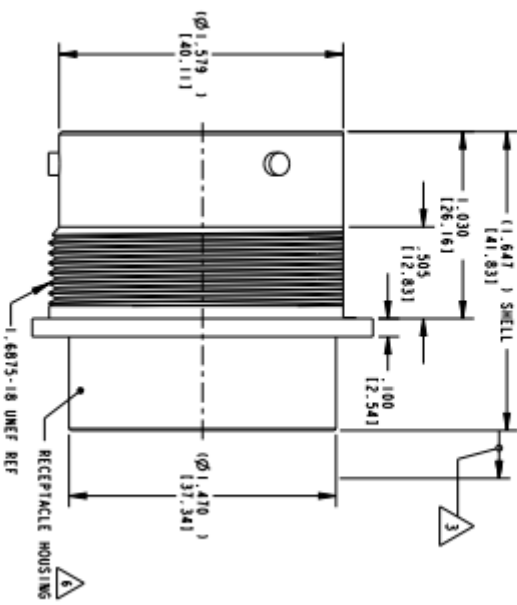
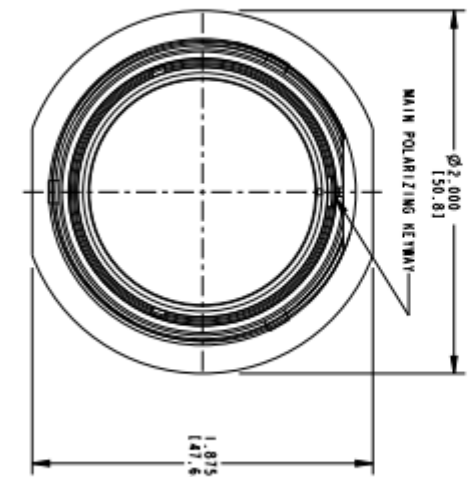




TECNOLOGIA S.p.A. - VIA S. GIUSEPPE, 10 - 20139 MILANO (MI) - ITALIA
 TEL. 02 760011 - FAX 02 76001211 - WWW.MESCONNETTORI.COM

REV.	DATE	DESCRIPTION	BY	CHKD.
NC		NEW RELEASE PER I.O. P14915		
A		REVISED PER I.O. P15908		
B		REVISED PER I.O. P18134		
B1		REVISED AS PER ECO-15-001796		



- 6. MATERIAL: RECEPTACLE HOUSING: AL 6000 SERIES
- 5. THIS PART MATES WITH HD36-24-XXP/SX-XXXX
- 4. PART NUMBER INFO: XX- ARRANGEMENT: X: SEAL TYPE
- 3. TOTAL DIM. WITH EXTENDED WIRE SEAL (WITH CONTACTS #4 OR #8 ONLY) = 1,870±.050 (47,50±.1,271).
- 2. FOR ARRANGEMENT OF CONTACT LOCATION SEE ENVELOPE DRAWING 0425-014-2400.
- 1. CONSULT THE FACTORY FOR ELECTRICAL AND MATERIAL SPECIFICATIONS.

THIS DRAWING IS A CONTROLLED DOCUMENT.

DIMENSIONS: INCHES (MM)	CONTROLLED STATUS: DATE: 31/07/2014 BY: METER CHECKED: 0425-016-0000 APPROVED: 0425-015-0000
----------------------------	--

STE IE Connectivity
 RECEPTACLE CONNECTOR
 SHELL SIZE 24 BAYONET COUPLING
 HD30 SERIES
 CUSTOMER DRAWING: HD34-24-XXP/SX
 SCALE: 1:1
 SHEET: 1 OF 1