

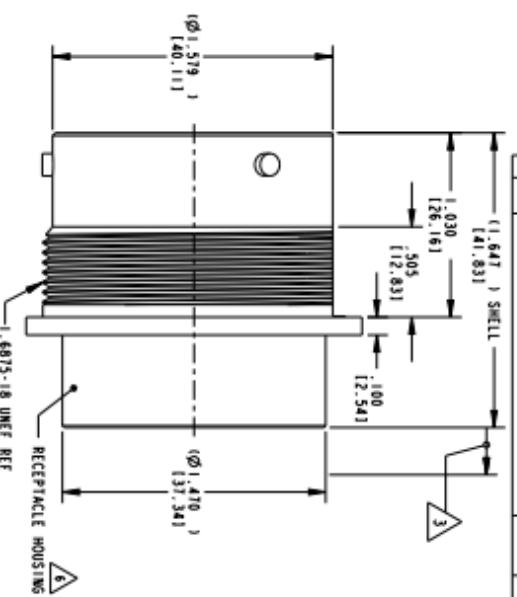
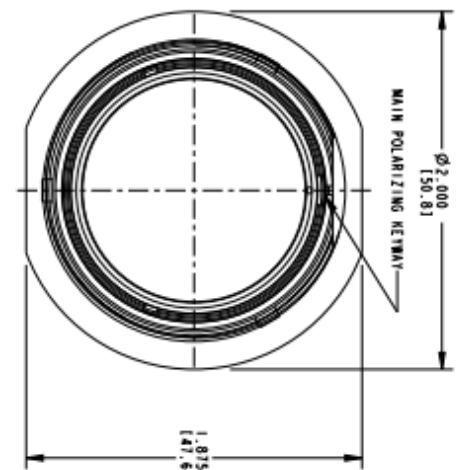


M HD34-24-21S_

TYPE DRAWING: 24-21S-21S_01
 COMPANY: 24S_21S_01
 REVISION: 1
 DATE: 2018

REV. LIST

| REV. | DESCRIPTION | DATE | BY | CHK |
|------|------------------------------|------|----|-----|
| NC | NEW RELEASE PER E.O. #14213 | | | |
| A | REVISED PER E.O. #15168 | | | |
| B | REVISED PER E.O. #18134 | | | |
| B1 | REVISED AS PER ECO-15-001798 | | | |



6. MATERIAL: RECEPTACLE HOUSING: AL 6000 SERIES
5. THIS PART MATES WITH HD36-24-XXX/5X-XXXX
4. PART NUMBER INFO: XX: ARRANGEMENT: X: SEAL TYPE
3. TOTAL DIM. WITH EXTENDED WIRE SEAL WITH CONTACTS 14 OR 18 ONLY = 1.870±.050 147.50±.271.
2. FOR ARRANGEMENT OF CONTACT LOCATION SEE ENVELOPE DRAWING 0425-014-2400.
1. CONSULT THE FACTOR FOR ELECTRICAL AND MATERIAL SPECIFICATIONS.
- NOTES:

THIS DRAWING IS A CONTROLLED DOCUMENT.

STE IE Connectivity

RECEPTACLE CONNECTOR
 SHELL SIZE 24 BAYONET COUPLING
 HD30 SERIES

Customer Drawing

DATE: 2018

REV: 1

SCALE: 1:1