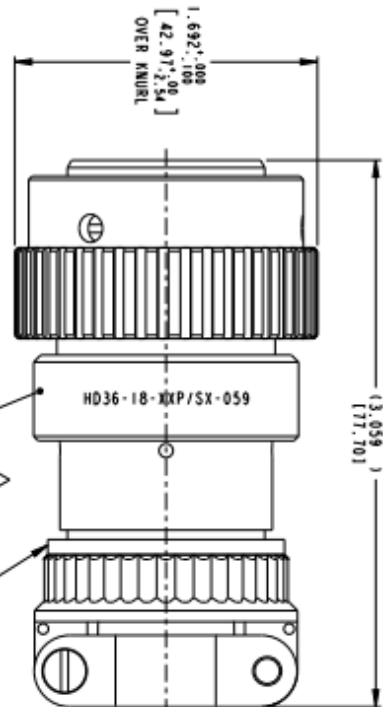
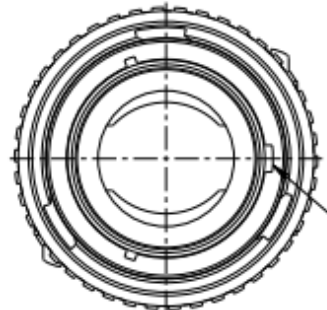




REVISIONS		DATE	BY	APP
1	NEW RELEASE PER E.O. P19474			
2	REVISIO PER E.O. P21009			
3	REVISIO PER ECO-15-001798			

REV	DATE	DESCRIPTION
1		NEW RELEASE PER E.O. P19474
2		REVISIO PER E.O. P21009
3		REVISIO PER ECO-15-001798



3. MATERIAL:
 ADAPTER: AL 6000 SERIES
2. THE CONNECTOR MATES WITH HD34-18-XXS/PK-XXXX
 X = SEAL DESIGNATION, XX = NUMBER OF CAVITIES,
 XXXX = MODIFICATION DESIGNATION.
1. FOR ARRANGEMENT OF CONTACT LOCATION SEE ENVELOPE DRAWING 0425-013-1800

THIS DRAWING IS A CONTROLLED DOCUMENT.

REV: 02/2007
 DATE: 12/01/2011
 BY: BAYFORD
 CHECKED: BAYFORD
 PROJECT: 0425-016-0800
 PART: 0425-015-0800

Customer Drawing

SIZE: A3
 SCALE: 1:1

mes connettori
 IE Connectivity

PLUG CONNECTOR SHELL SIZE 18
 BAYNET COUPLING-059 MOD.
 HD30 SERIES

0425-015-0800