



TECHNICAL DRAWING

COMPANY NAME: mes connettori
REV. 1.0
DATE: 2015

REVISIONS

REV.	DESCRIPTION	DATE	BY	CHK.
1	REVISED PER E.O. P21391	14/09/15	JAN	DOF
2	REVISED PER ECO-14-019012	29/09/15	JAN	DOF
3	REVISED PER FCN E-16-012398	04/10/15	DOF	DOF
4	REVISED PER FCN E-18-015127	04/10/15	JAN	DOF

REVISIONS

DATE CODE: IDENTIFIES THE YEAR, MONTH, DAY AND HOUR OF ASSEMBLY. (14 = 2014)
YEAR: FIRST AND SECOND DIGITS (14 = JAN.)
MONTH: THIRD DIGIT, EXCLUDING 1. A = JAN., B = FEB., C = MARCH, ... I = OCTOBER
DAY: FOURTH AND FIFTH DIGITS (14 = 14th DAY)
HOUR: SIXTH AND SEVENTH DIGITS (11 = 11AM)

NOTES:

- RECEPTACLE IS SUPPLIED WITH DUST CAP (2415-001-2405).
- NOTED DIMENSION DOES NOT INCLUDE GROMMET PROTRUSION.
- MATERIAL:** RECEPTACLE HOUSING: PA66 GF10 (BLACK)
RETAINING RING: PA66 GF10 (GREEN, GRAY, BLUE)
GROMMET: SILICONE (ORANGE-RED)
- SEE 0423-021-0000 APPLICATION SPECIFICATION
 - RECOMMENDED WIRE INSULATION RANGE
 - CONTACT REMOVAL TOOLS
 - RECOMMENDED MOUNTING HOLE & PANEL THICKNESS
 - MOUNTING HARDWARE & MOUNTING TORQUE.
- THIS RECEPTACLE MATES WITH HDP26-24-XXP/SX-XXXX PLUG
 - SEAL TYPE (N, I, E, I)
 - INSERT ARRANGEMENT
 - MODIFICATION

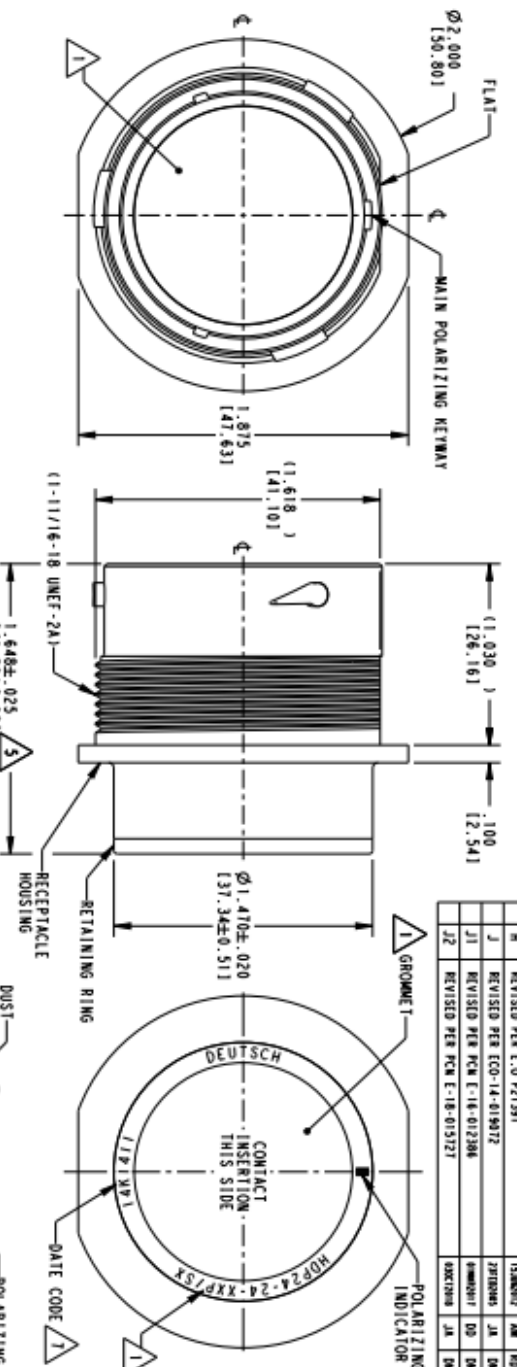
SEE CUSTOMER DRAWING, 0423-014-2400 FOR AVAILABLE INSERT ARRANGEMENTS AND PART NUMBERS.

THIS DRAWING IS A CONTROLLED DOCUMENT.

CONTROL NUMBER: 0423-021-0400
DATE: 04/25/15
SCALE: 2:1

Customer Drawing

SCALE 1:1



Labels in drawing: FLAT, Ø2,000 [59,801], MAIN POLARIZING KEYWAY, 1,875 [47,631], (1,618) [41,101], (1,039) [26,161], 1,00 [2,541], (1,648±0,025) [41,86±0,631], RECEPTACLE HOUSING, RETAINING RING, GROMMET, POLARIZING INDICATOR, CONTACT INSERTION THIS SIDE, DEUTSCH, HDP24-24-XXP/SX, DATE CODE 1, DUST CAP, POLARIZING INDICATOR.

Customer Drawing

Scale 2:1

REV. J2