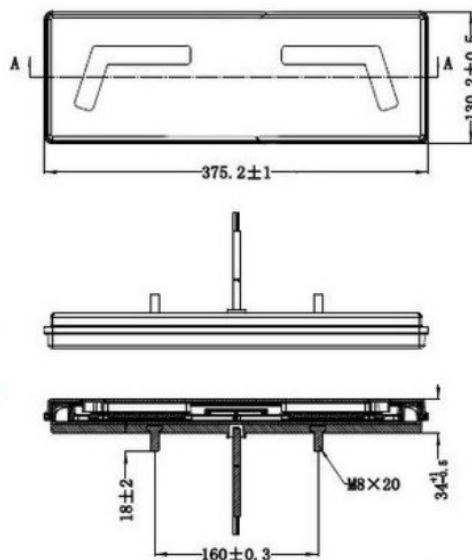


# M LED1829DX

# SCHEMA TECNICA

## REAR COMBINATION LAMP KMR1 102 LED 12/24 V WITH CABLE RIGHT

### PHOTO AND TECHNICAL DRAWING:



### TECHNICAL SPECIFICATIONS:

MATERIAL	LED QUANTITY	MOUNTING	CABLE	FUNCTION	WATT	VOLTAGE	CERTYFICATES	PACKING/WEIGHT
» Lens: PMMA+PC » Housing: ABS/PC	» 108	» screw	» 300mm	» tail » stop » indicator » fog » reverse » reflector	» 2W » 2W » 22W » 3W » 3W	» 12V/24V	» ECE R3 » ECE R6 » ECE R7 » ECE R10 » ECE R23 » ECE R38	» cart. dim: 400x140x60 mm » lamp weight: 780g » 12 pcs/bulk box

### INSTALLATION INSTRUCTIONS:

- It should be used exclusively in accordance with intended use.
- Mount exclusively in specialized workshops.
- The connection between the lamp and vehicle's installation should be isolated with heat-shrink tube, or, alternatively, with isolating tape, to avoid getting water and moisture to the copper wire of the lamp, which can damage electronic components. When it comes to lamp and plug, the plug should be mounted safely.
- Do not cut off tinned ends.
- Lamps must be installed only in accordance with UNECE regulations

We reserve the right to change technical data and any errors. Photos and specifications are for reference only, and the actual product may vary slightly. Reproduction in whole or parts of the catalog without written authorization is prohibited.

