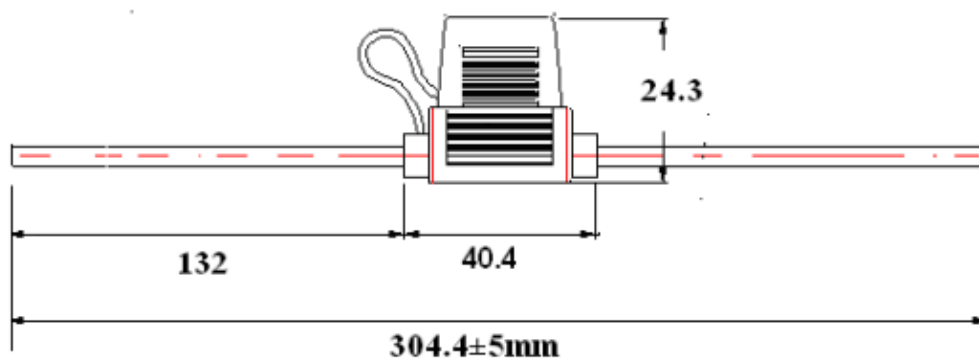


M PF001879 - portafusibile volante per MINI FUSE cavo 4 mmq

Water Resistant Type For MIN-N (ATM,MINI) Fuses



NO.	WIRE SPEC.	LENGTH	COLOR	TOLERANCE	Q'TY
1	UL1015 12AWG	304.4 mm	Orange	± 5mm	1

Specifications:

- (b) Rated Current: 30Amp 32V DC Maximum
- (c) Insulation Resistance At 500V DC:100MΩ Min.
- (d) Contact Resistance:5mΩ AT 1A DC
- (e) Dielectric Strength for 60 AC 1000 V Min.
- (f) Body Material: TPR/Color: Black
- (g) Cable Wire: UL1015 12AWG Color: Orange
Total length: 12" Cut
- (h) Terminal Material: Brass (Tin Plated)
- (i) Body not include Fuse.
- (j) Operating Temperature: -20°C to +80°C
- (k) Product meet RoHS Standard
- (l) Product not UL Listed
- (m) Product produced at Taiwan

