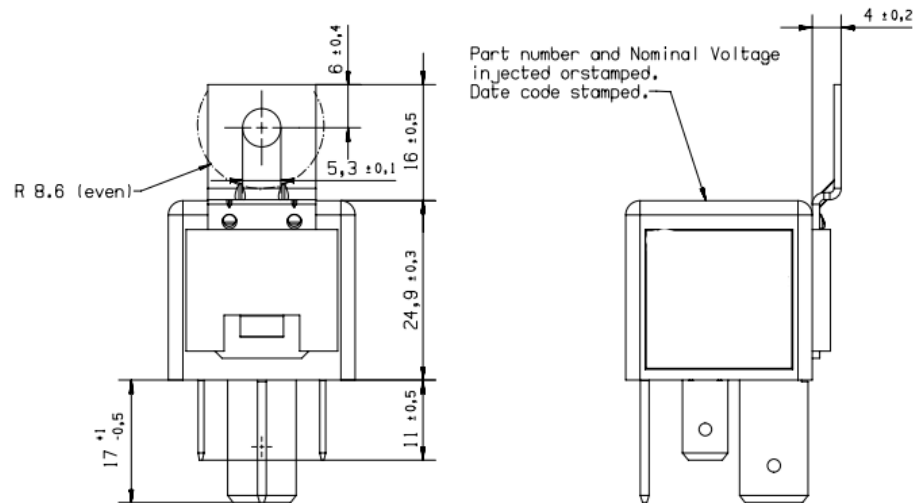
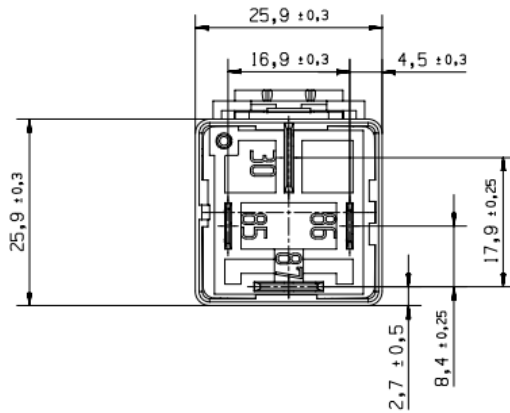
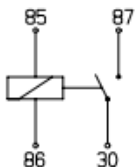


M PWR2447000N-T

SCHEDA TECNICA



Wiring Diagram



Dustproof:
Protection class IP 54 to IEC 529 (DIN EN 60 529)
With mounting bracket
Terminals shape similar to 8092-1:
Coil 6,3 x 0,8 mm
Load 9,5 x 1,2 mm

PART	MATERIAL	COLOUR
Bracket	St2	Zn plating
Cover	PA 66 GF 25	Black sim. to RAL 90005
Base	PA 66 GF 25	Black sim. to RAL 90005
Coil Terminals 85 and 86	Cu Sn	Pre-tinned Sn
Load Terminals 30 and 87	E-Cu	Pre-tinned Sn

