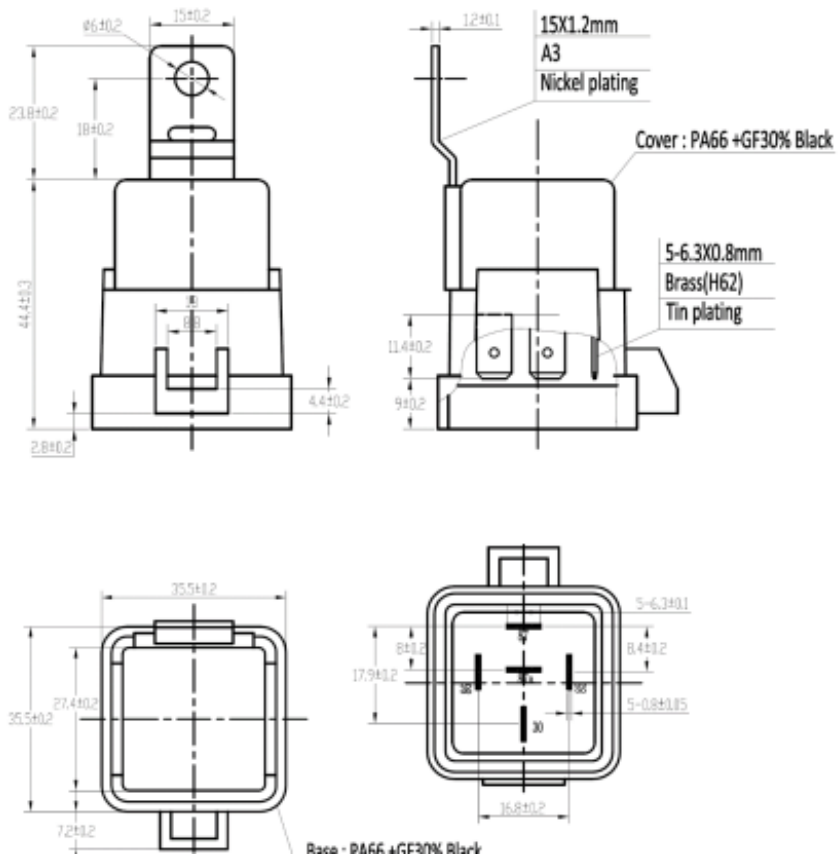


M STD1253040DST

SCHEDA TECNICA



Technical specs:

Rated voltage: 12V
Rated Current: 133mA
Power Consumption: 1.6W
Coil Resistance: 90 +/- 9Ω at 23'
Contact type: Change over
Contact Material: Silver Alloy
Nominal Current: 30/40A
Pick up V: ≤7.8V
Drop Down: ≥1.5V
Electrical life: 100,000
Mechanical life: 1,000,000
Temperature Range: -40°C+85'
Pulling time: 7ms approx.
Drop out time: 5ms approx.
Weight: 42g. approx.

Circuit diagram

