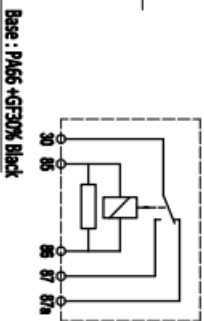
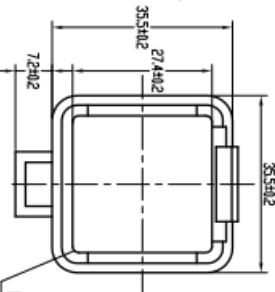
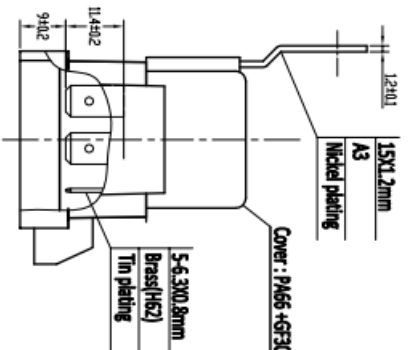
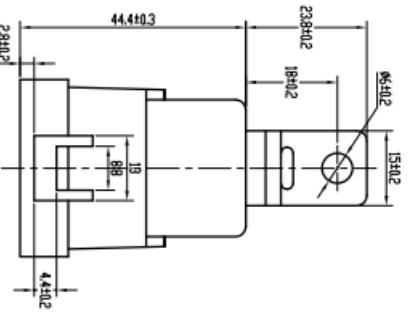
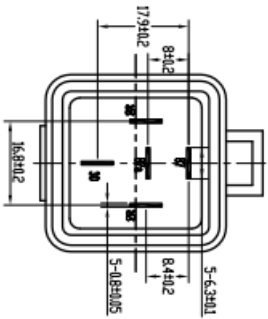


# M STD1253040RST

# SCHEDA TECNICA



**Technical specs:**  
 Rated voltage: 12V;  
 Rated Current: 134mA  
 Power Consumption: 1.6W;  
 Coil Resistance: 90 ± 9Ω at 23°C;  
 Suppression: Resistor 680Ω ;  
 Bracket: Optional bracket;  
 Contact type: Change over Contact;  
 Contact Material: Silver Alloy;  
 Nominal Current: 30/40A;  
 Pick up V: ≤7.8V;  
 Drop Down: ≥1.5V  
 Electrical life : 100,000;  
 Mechanical life : 1,000,000;  
 Temperature Range: -40°C-+85°C;  
 Pulling time: 7ms approx;  
 Drop out time: 5ms approx;  
 Weight: 42g. approx;  
 Insulation Resistance: 100M ohm Min (500V DC)

Mark	no	Descr	Chan. desc no	Sig	Y.M.D			
Design	2019-03-28	Standard				Phase Mark	Weight	Scale
Check						1	42g	1:1
Technical				Approve		Page 1 of 1		