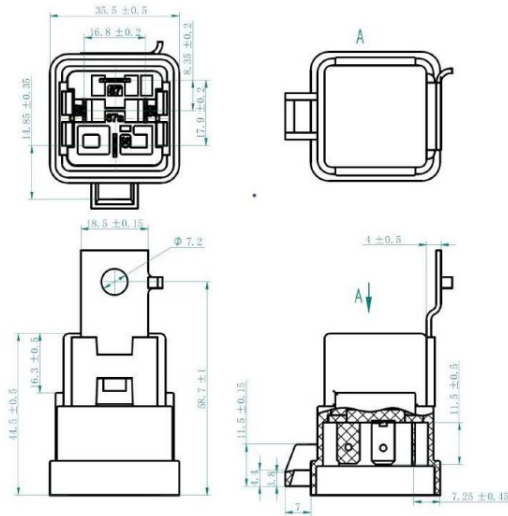


# M STD2442000DST

# SCHEMA TECNICA

rele' 24V 20A a tenuta stagna con diodo e staffa



Rated Voltage: 24V  
Switching Current: 20A  
Contact Form: Normally-Open  
Coil Resistance: 360Ω ± 10%  
Operate Voltage: 8 ~ 15,6V  
Release Voltage: 2,4-9,2V  
Operational Temperature: -40°C to +85°C  
Mechanical Life: 1.000.000 cycles  
Electrical Life: 100.000 cycles  
Insulation Resistance: ≥100MQ, 500V

