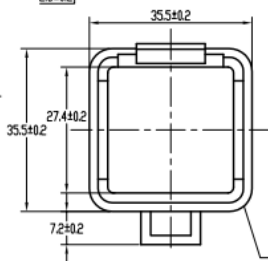
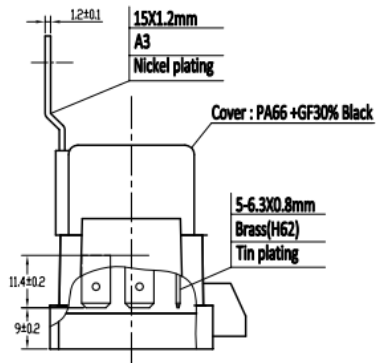
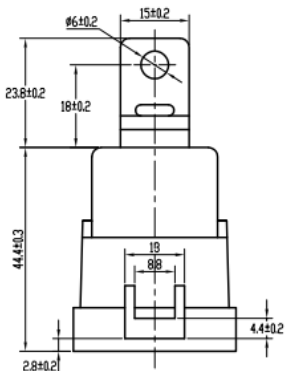
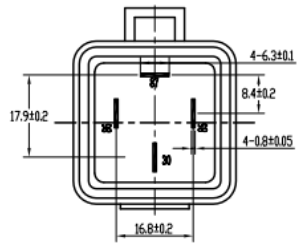
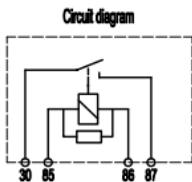


M STD2442000RST

SCHEDA TECNICA



Base : PBT +GF30% Black



Technical specs:

Rated voltage: 24V;
 Rated Current: 67mA
 Power Consumption: 1.6W;
 Coil Resistance: $360 \pm 36\Omega$ at 23°C;
 Suppression: Resistor 2700Ω
 Bracket: Optional bracket;
 Contact type: Normally open Contact;
 Contact Material: Silver Alloy;
 Nominal Current: 20A;
 Pick up V: $\leq 15.6V$;
 Drop Down: $\geq 3.0V$;
 Electrical life : 100,000;
 Mechanical life : 1,000,000;
 Temperature Range: $-40^{\circ}C$ + $85^{\circ}C$;
 Pulling time: 7ms approx;
 Drop out time: 5ms approx;
 Weight: 42g. approx;
 Insulation Resistance: 100M ohm Min (500V DC)

						Mini Relay with skirt, optional bracket , 24V, normally open, resistor 20A	IKA Industrie- und Kraftfahrzeugausüstung GmbH	
							9 9317 0	
Mark	no	Divide	Chan. doc no	Sig	Y.M.D	Phase Mark	Weight	Scale
Design	2019-03-28		Standard			1	42g	1:1
Check						Page 1 of 1		
Technical			Approve					

